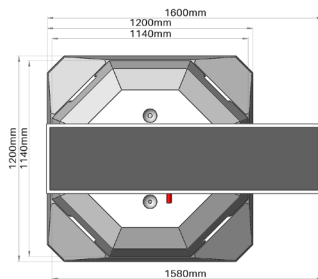
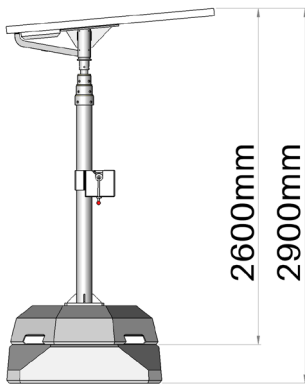
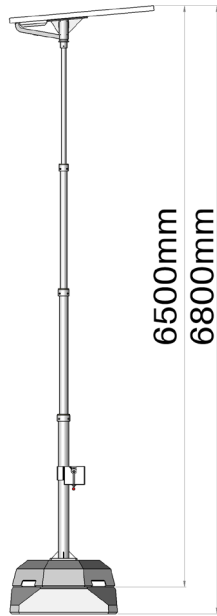


# Portable Solar Light

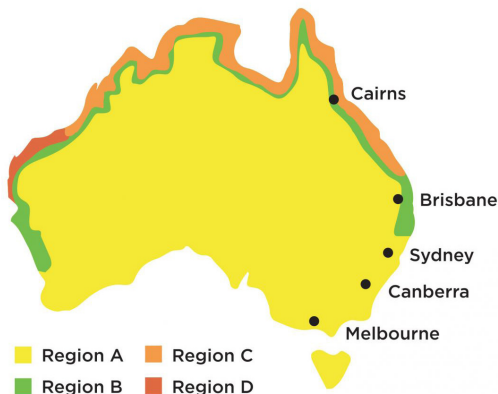


Our newest and most innovative solar lighting solution yet is a powerful 100W portable light. Extremely easy to transport and install, the telescopic pole allows set up in under two minutes. The concrete base sets a strong foundation making this solar light an extremely robust and dependable renting option, even in inclement weather. It is wind rated for Region A with the single concrete base option, and Regions B and C with the double concrete base.

Please visit our website to view additional specifications and lighting charts.

- ✓ Fully portable
- ✓ 100W all-in-one compact unit
- ✓ Mono-crystalline solar panel
- ✓ Telescopic light pole
- ✓ Winch from lowered to raised position in less than 2 minutes
- ✓ Extremely quick installation and removal
- ✓ Convenient to transport
- ✓ Built in lithium-ion battery storage
- ✓ Two concrete base options to suit different wind regions
- ✓ Built-in galvanised fork ports in base
- ✓ Heavy duty lifting lugs
- ✓ Strengthened with reo-bars running throughout base
- ✓ No diesel and no noise!
- ✓ Great ambient site lighting option

## Australian Wind Rating Guide



## SPECIFICATIONS

<b>Power Consumption</b>	100W
<b>Beam Angle</b>	150° x 70°
<b>Luminous Flux</b>	14,000 Lm (TYP)
<b>Colour Temperature</b>	2700 - 6500K
<b>Time to fully charge</b>	8 hours
<b>Battery</b>	Lithium life PO4
<b>Base Weight - Single</b>	650kg
<b>Base Weight - Double</b>	1600kg